

↗ DOMETIC

REFRIGERATION

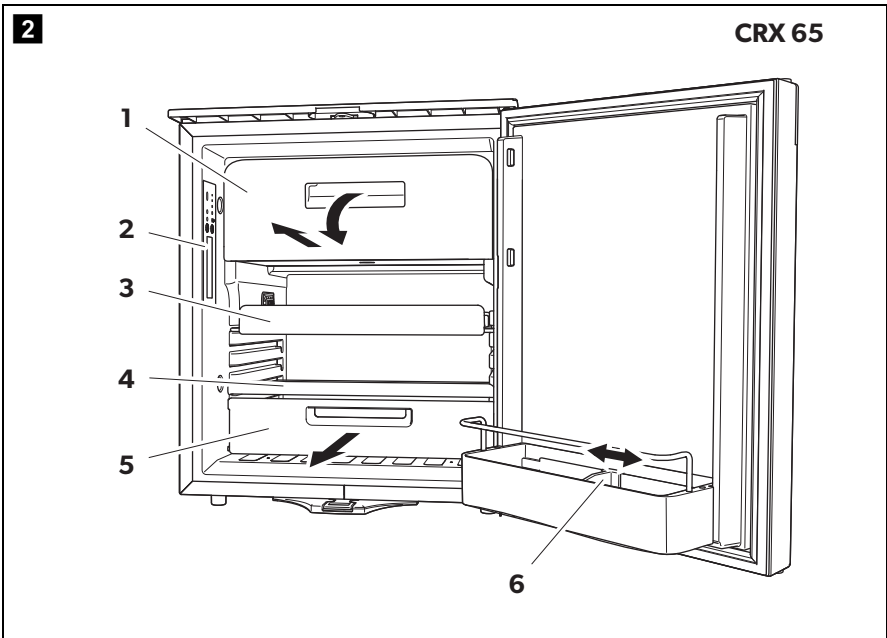
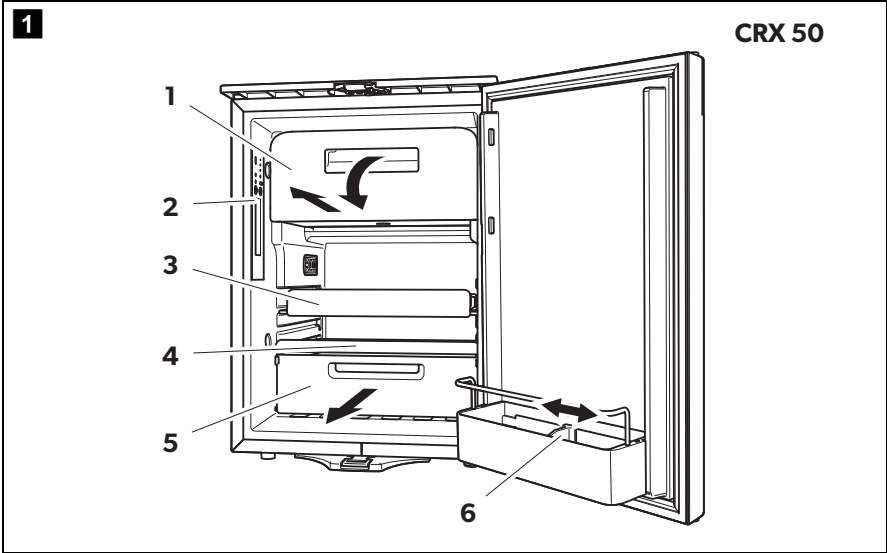
COOLMATIC



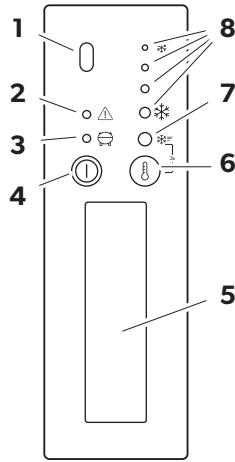
CRX50, CRX65

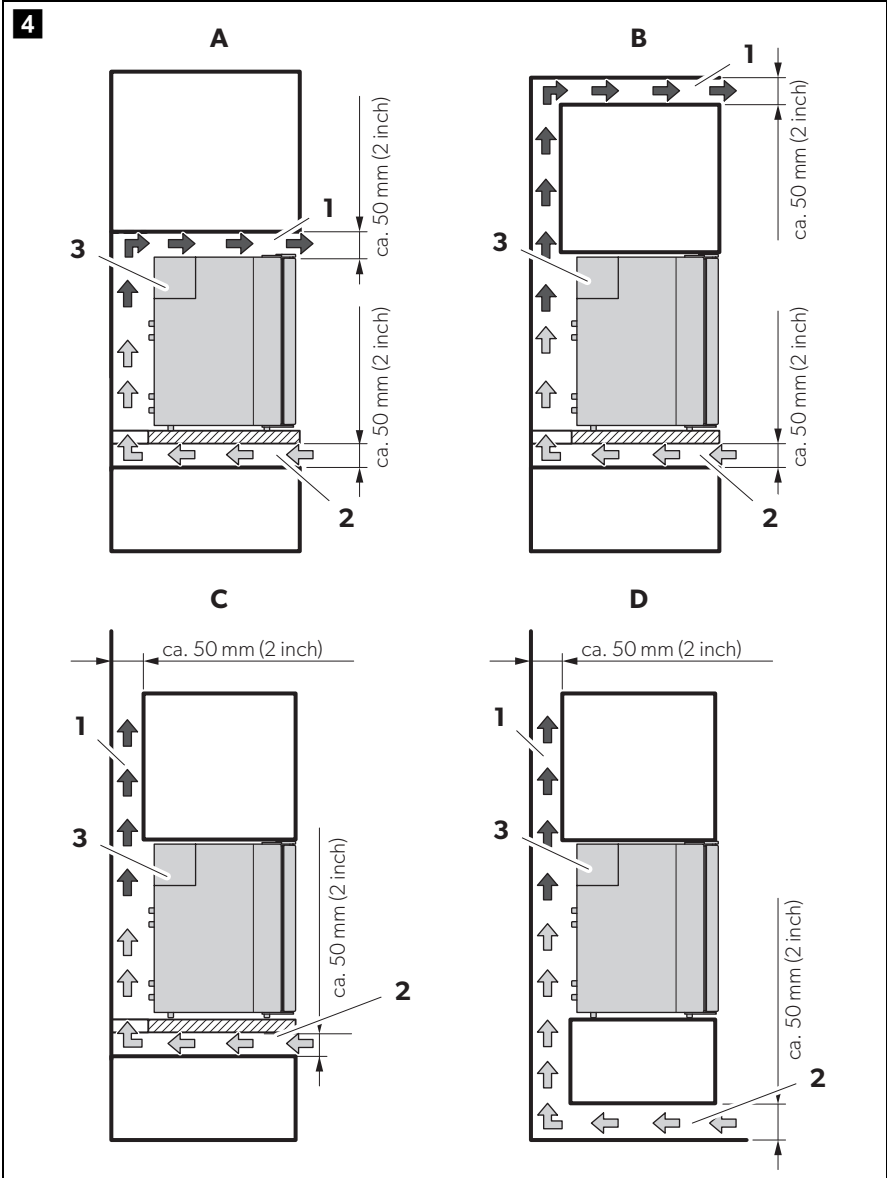
EN	Compressor refrigerator Installation and Operating Manual	10
FR	Réfrigérateur à compression Instructions de montage et de service	31
ES	Nevera con compresor Instrucciones de montaje y de uso	52

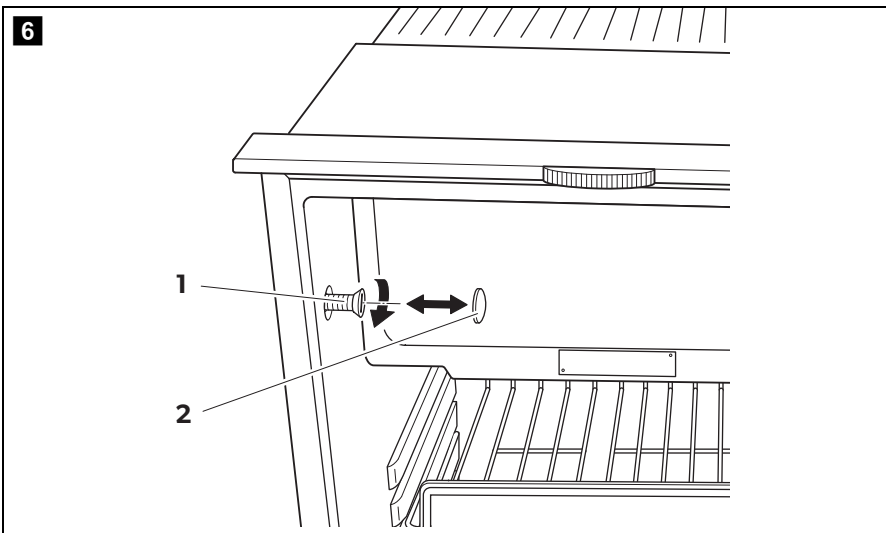
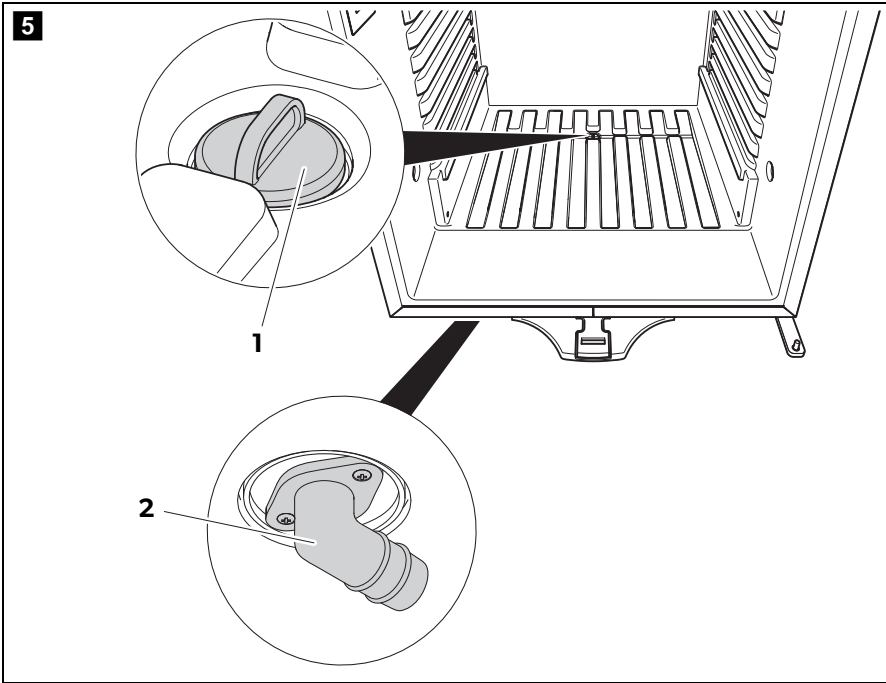
© 2020 Dometic Group. The visual appearance of the contents of this manual is protected by copyright and design law. The underlying technical design and the products contained herein may be protected by design, patent or be patent pending. The trademarks mentioned in this manual belong to Dometic Sweden AB. All rights are reserved.

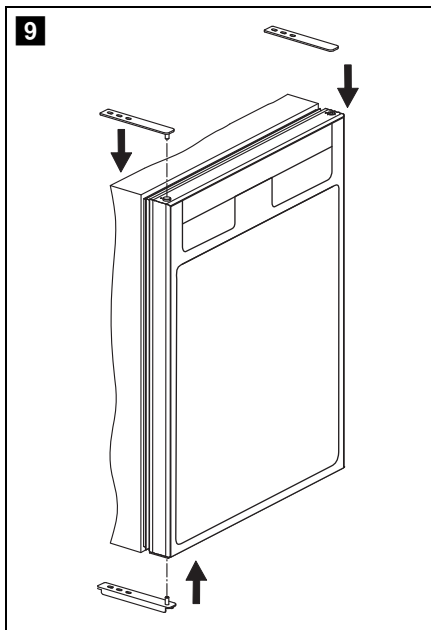
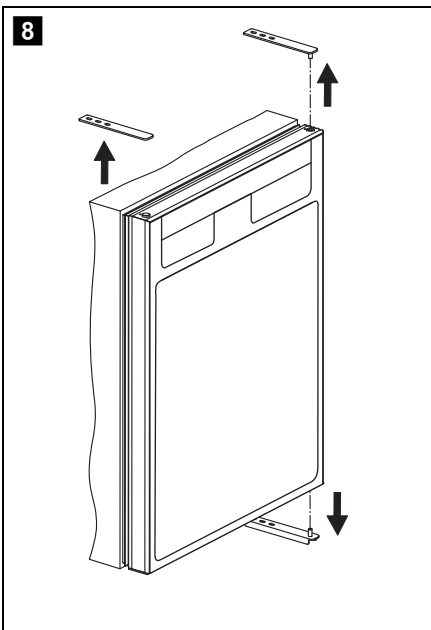
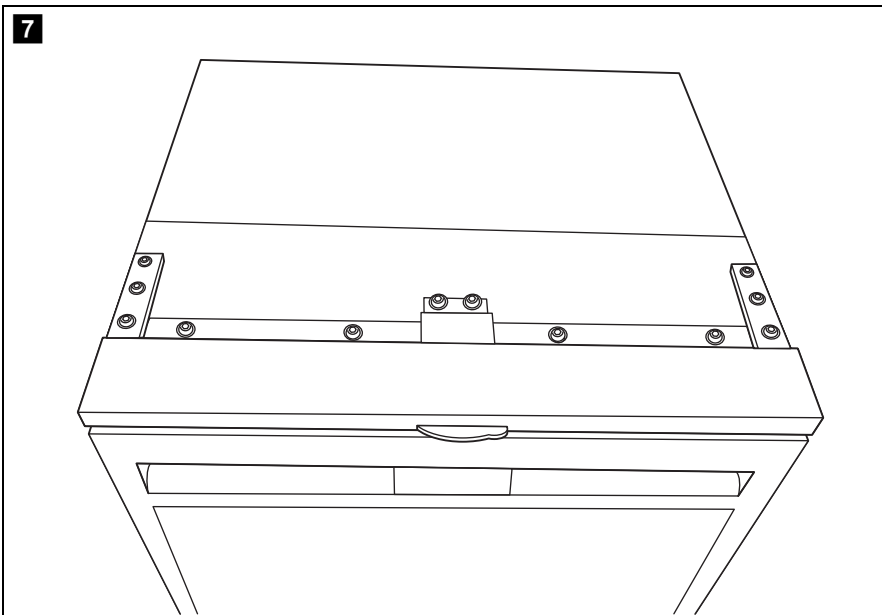


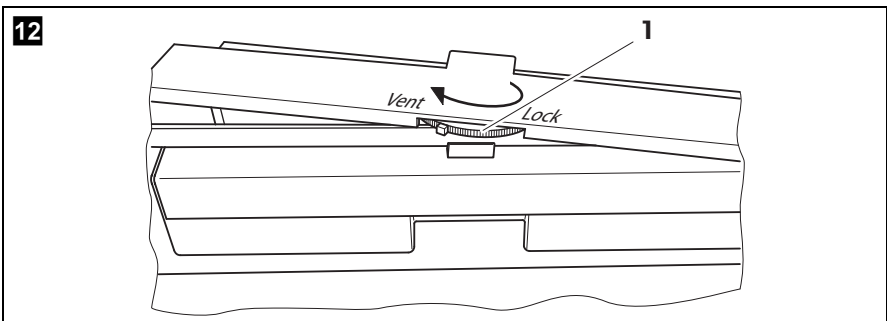
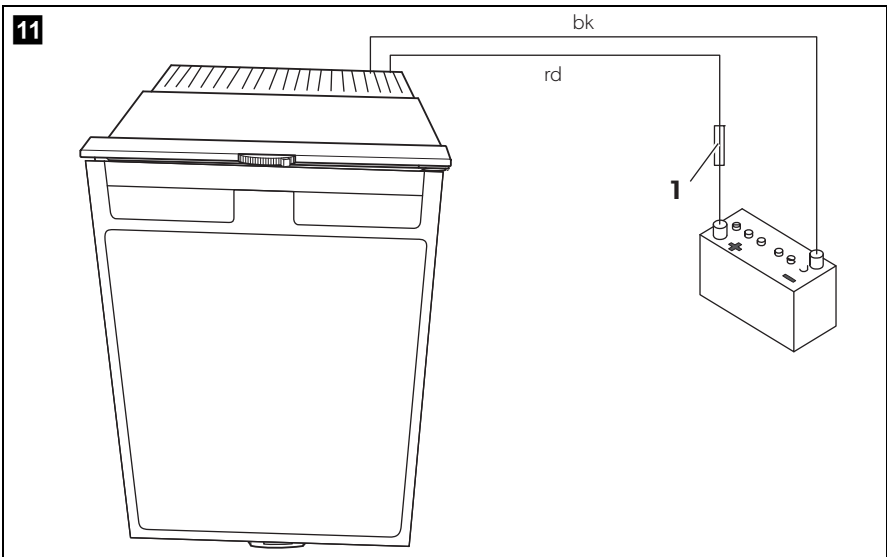
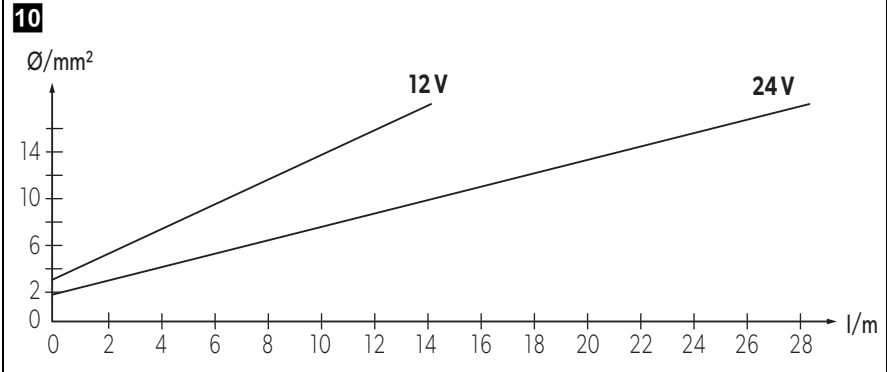
3

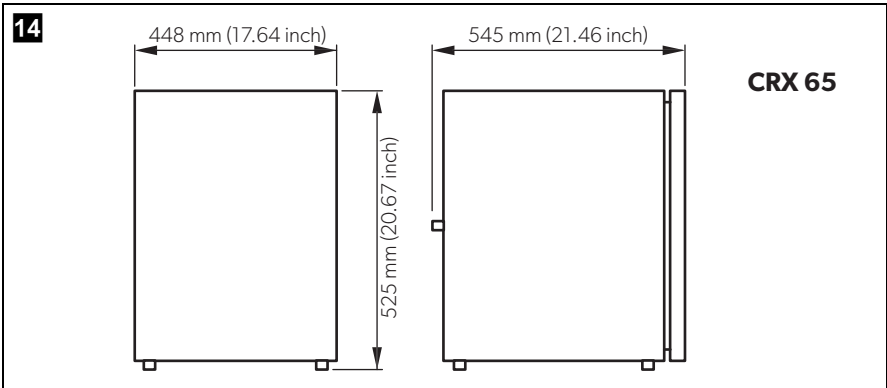
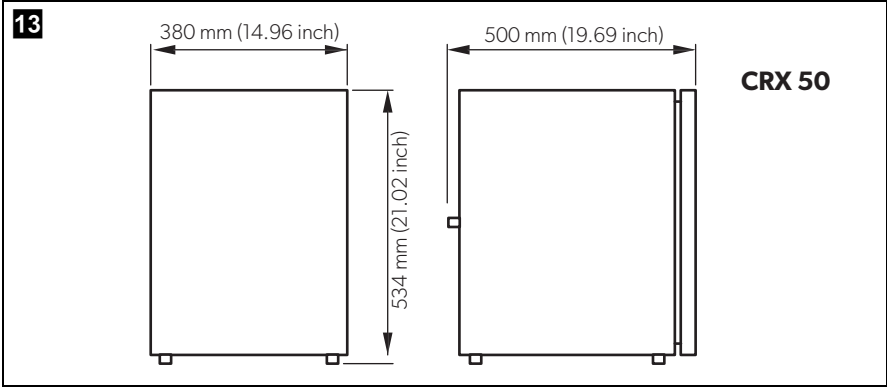












Please read this instruction manual carefully before installation and first use, and store it in a safe place. If you pass on the product to another person, hand over this instruction manual along with it.

Table of contents

1	Explanation of symbols	11
2	Safety instructions	11
3	Scope of delivery	14
4	Accessories	15
5	Intended use	15
6	Technical description	15
7	Installing and connecting the refrigerator	17
8	Using the refrigerator	19
9	Cleaning and maintenance	23
10	Limited warranty	24
11	Disposal	25
12	Troubleshooting	25
13	Technical data	28

1 Explanation of symbols

**WARNING!**

Safety instruction: Indicates a hazardous situation that, if not avoided, could result in death or serious injury.

**CAUTION!**

Safety instruction: Indicates a hazardous situation that, if not avoided, could result in minor or moderate injury.

**NOTICE!**

Indicates a situation that, if not avoided, can result in property damage.

**NOTE**

Supplementary information for operating the product.

2 Safety instructions

The manufacturer accepts no liability for damage in the following cases:

- Faulty assembly or connection
- Damage to the product resulting from mechanical influences and incorrect connection voltage
- Alterations to the product without express permission from the manufacturer
- Use for purposes other than those described in the operating manual

2.1 General safety



DANGER! Failure to obey these warnings will result in death or serious injury.

Electrocution hazard

- On boats: If the device is powered by the mains, ensure that the power supply has a residual current circuit breaker.



WARNING! Failure to obey these warnings could result in death or serious injury.

Electrocution hazard

- Installations in washrooms and areas exposed to water, must be performed by a qualified technician.
- Do not operate the device if it is visibly damaged.
- If this device's power cable is damaged, it must be replaced by the manufacturer, customer service or a similarly qualified person in order to prevent safety hazards.
- This device may only be repaired by qualified personnel. Inadequate repairs may cause serious hazards.

Health hazard

- This device can be used by children aged from 8 years and above and persons with reduced physical, sensory or mental capabilities or lack of experience and knowledge if they have been given supervision or instruction concerning use of the device in a safe way and understand the hazards involved.
- Children shall not play with the device.
- Cleaning and user maintenance shall not be made by children without supervision.
- Children aged from 3 to 8 years are allowed to load and unload refrigerating devices.

Explosion hazard

- Do not store any explosive substances, such as spray cans with propellants, in the device.



CAUTION! Failure to obey these cautions could result in minor or moderate injury.

Risk of crushing

- Do not put your fingers into the hinge.

Health hazard

- Foodstuff may only be stored in its original packaging or in suitable containers.



NOTICE! Damage hazard

- Check that the voltage specification on the type plate is the same as that of the power supply.
- Never pull the plug out of the socket by the connection cable.

- If the device is connected to the DC socket: Disconnect the device and other electric consumers from the battery before connecting the quick charging device.
- If the device is connected to the DC socket: Disconnect the device or switch it off when you turn off the engine. Otherwise you may discharge the battery.
- The device is not suitable for storing substances which are caustic or contain solvents.
- Keep the drainage outlet clean at all times.
- Do not open the refrigerant circuit under any circumstances.
- Never transport the device in a horizontal position, so that no oil can leak out of the compressor.
- Make sure that the refrigerant circuit is not damaged during transportation. The refrigerant in the refrigerant circuit is highly flammable. In the event of any damage to the refrigerant circuit:
 - Avoid naked flames and sparks.
 - Air the room well.
- Set up the device in a dry location where it is protected against splashing water.

2.2 Operating the device safely



DANGER! Failure to obey these warnings will result in death or serious injury.

Electrocution hazard

- Do not touch exposed cables with your bare hands. This applies especially when operating the device from the AC mains.



CAUTION! Failure to obey these cautions could result in minor or moderate injury.

Electrocution hazard

- Before starting the device, ensure that the power supply line and the plug are dry.

Health hazard

- Opening the door for long periods can cause significant increase of the temperature in the compartments of the device.
- Clean regularly surfaces that can come in contact with food and accessible drainage systems.

- Store raw meat and fish in suitable containers in the device, so that it is not in contact with or can drip onto other food.
- If the device is left empty for long periods:
 - Switch off the device.
 - Defrost the device.
 - Clean and dry the device.
 - Leave the door open to prevent mould developing within the device.



NOTICE! Damage hazard

- Do not use electrical devices inside the cooling device unless they are recommended by the manufacturer for that purpose.
- Do not place it near naked flames or other heat sources (heaters, direct sunlight, gas ovens etc.)
- **Danger of overheating!**
Always ensure sufficient ventilation so that the heat generated during operation can dissipate. Make sure that the device is sufficiently far away from walls and other objects so that the air can circulate.
- Ensure that the ventilation vents are not covered.
- Do not fill the inner container with ice or fluid.
- Never immerse the device in water.
- Protect the device and the cable against heat and moisture.
- Make sure that foodstuffs do not touch the walls of the cooling area.
- The use of a load dump board is mandatory on all Semi Truck 12 V or 24 V DC applications. Ensure that the load dump board and the control module are always replaced together.

3 Scope of delivery

Quantity	Description
1	Refrigerator with shelves
1	Water drain outlet
1	Installation and operating manual

4 Accessories

Available as accessories (not included in the scope of delivery):

Description	Explanation	Ref. no.
Mounting Frames	Flush-mount and standard mounting frames are available for all CRX models.	Various

If you have any questions, please contact the dealer or your service partner directly.

5 Intended use

The refrigerator is designed for installation in trucks. It is recommended the unit is installed into a fixed position. Once it is installed, only the front of the appliance may be accessible.

The refrigerator is only suitable for cooling, freezing and storing foodstuffs. The refrigerator is not intended for the proper storage of medicine.



CAUTION! HEALTH HAZARD

Please check if the cooling capacity of the refrigerator is suitable for storing the food you wish to cool.

6 Technical description

The CoolMatic CRX series cooling appliances can cool products and keep them cool. Products can be deep-frozen in the freezer compartment. If the refrigerator is operated without a freezer compartment, frozen products can be stored in the short term using the fast-cooling function.

All materials used in the refrigerator are compatible for use with foodstuffs. The refrigerant circuit is maintenance-free.

The cooling device can withstand a short-term inclination of 30°.

The temperature is set using the control panel on the inside left of the refrigerator.

Four temperature ranges from +3 °C (37 °F) to +12 °C (54 °F), and a fast-cooling function, are available for selection.

6.1 Control elements inside the refrigerator

The various types of refrigerators are shown in the following illustrations:

- CRX50: fig. **1**, page 3
- CRX65: fig. **2**, page 3

No.	Explanation
1	Freezer compartment
2	Control panel
3	Wire shelf (folding, so that bottles can be put in the refrigerator)
4	Shelf
5	Crisper compartment
6	Bottle restraint (to hold bottles in the door)

6.2 Control elements

No. in fig. 3 , page 4	Explanation
1	IR sensor for switching the interior light
2	LED Service display
3	LED Blue: Compressor is running LED Orange: Compressor is off
4	On/off button
5	Inner lighting
6	Temperature selection button
7	LED: Fast cooling function on
8	LEDs: Temperature levels

7 Installing and connecting the refrigerator

7.1 Notes on installing the refrigerator

Observe the following when installing the refrigerator:

- Install the refrigerator so that the warm air produced can easily flow away (fig. **4**, page 5).

Key for fig. **4**, page 5

No.	Explanation
1	Exhaust air
2	Cold intake air
3	Condenser

Observe the following installation dimensions:

Model	Dimensions W x H x D (mm)	Dimensions W x H x D (inch)
CRX50	390 x 544 x 550	15.35 x 21.42 x 21.65
CRX65	458 x 535 x 595	18.03 x 21.06 x 23.43

- Keep objects clear of openings in the housing or installation structure (such as ventilation slots, etc.).
- Condensate is produced when the refrigerator is operating normally. You can either wipe up the condensate on the floor of the refrigerator in regular intervals, or drain it through a water drain outlet in the floor of the refrigerator (see chapter "Mounting the water drain outlet (optional)" on page 17).

7.2 Mounting the water drain outlet (optional)

- Connect a hose with an inside diameter of 10 mm (0.4 inch) (not included) to the water drain outlet.
- Lay the refrigerator on its side in order to access the bottom side.
- Mount the water drain outlet (fig. **5** 2, page 6) aligned to the front or to the back according to the desired direction.
- Remove the water drain plug (fig. **5** 1, page 6) inside the refrigerator.

7.3 Installing the refrigerator

Proceed as follows to install the refrigerator:

- ▶ If you wish to drain the condensate through a hose:
Mount the water drain port (see chapter “Mounting the water drain outlet (optional)” on page 17)
- ▶ Undo the transport lock (chapter “Releasing the lock” on page 22).
- ▶ Open the refrigerator door.
- ▶ Remove the blanking plugs (fig. **6** 2, page 6).
- ▶ Push the refrigerator into the recess.
- ▶ Fix the refrigerator in place using suitable screws (fig. **6** 1, page 6).
- ▶ Press the blanking plugs (fig. **6** 2, page 6) into the openings.

7.4 Changing the door hinge

You can also change the hinge of the door, so that it opens to the left rather than the right.

- ▶ Proceed as shown (fig. **7**, page 7 to fig. **9**, page 7).

7.5 Connecting the refrigerator to DC voltage



NOTICE! MATERIAL DAMAGE

- To avoid voltage drops and loss of performance, keep the connection cable as short as possible and directly connected from the power source to the DC wire connection of the unit. Therefore avoid additional switches, plugs or power strips.
- Disconnect the cooling device and all power source connections from the battery before you connect the battery to a quick charging device. Overvoltage can damage the electronics of the device.

The refrigerator can be operated with a 12 V or a 24 V DC voltage supply.

For safety reasons, the refrigerator is equipped with an electronic system to prevent the polarity being reversed. This protects the refrigerator against reversed polarity when connecting to a battery and against short circuiting.

The use of a load dump board installed on the compressor control module electronics is mandatory. If one of the components has to be replaced handle them as one unit. Always replace both components together.

To protect the battery, the refrigerator switches off automatically if the voltage is insufficient (see table below):

	12 V	24 V
Cut-off voltage	10.4 V	22.8 V
Cut-in voltage	11.7 V	24.2 V

- Determine the required cross section of the cable in relation to the cable length according to fig. **10**, page 8.

Key to fig. **10**, page 8:

Coordinate axis	Meaning	Unit
l	Cable length	m
∅	Cable cross section	mm ²



NOTICE! MATERIAL DAMAGE

Make sure the polarity is correct.

- Before starting up the device for the first time, check whether the operating voltage and the battery voltage match (see type plate).
- Connect your refrigerator to a plug socket which is fuse-protected at 15 A (at 12 V) or 7.5 A (at 24 V) (fig. **11** 1, page 8).
- Connect the red cable (fig. **11** rd, page 8) to the positive terminal of the battery.
- Connect the black cable (fig. **11** bk, page 8) to the negative terminal of the battery.

8 Using the refrigerator

The refrigerator conserves fresh foodstuffs. The freezer compartment conserves frozen foodstuffs and freezes fresh foodstuffs.

**NOTICE! MATERIAL DAMAGE**

- Do not place any electrical devices inside the cooler. The only exceptions are devices approved for the purpose by the manufacturer.
- Ensure that food or liquids in glass containers are not excessively refrigerated. Liquids expand when they freeze and can therefore destroy glass containers.
- Food may only be stored in its original packaging or in suitable containers.
- Make sure that you only put items in the cooler which may be kept at the selected temperature.

**NOTE**

- Before starting your new refrigerator for the first time, you should clean it inside and outside with a damp cloth for hygienic reasons (please also refer to the chapter “Cleaning and maintenance” on page 23).
- Do not use force to press the flap of the freezer.
- Do not pull out the dividing wall if there is ice in the freezer.
- Do not remove the control panel membrane when operating the refrigerator.

8.1 Energy saving tips

- Choose a well ventilated location which is protected from direct sunlight.
- Allow hot food to cool down first before you put it in the refrigerator.
- Do not open the refrigerator more often than necessary. If the door is left open for more than 5 minutes, the light starts to flash.
- Do not leave the door open for longer than necessary.
- Defrost your refrigerator as soon as a layer of ice forms.
- Avoid unnecessarily low temperature settings.
- Clean dust and dirt from the condenser at regular intervals.



8.2 Switching on the refrigerator

- Switch the refrigerator on by pressing the  button.

**NOTE**

After switching on, the refrigerator needs some time before the compressor starts up.

8.3 Setting the temperature

- Press the  button repeatedly until the desired temperature level is set. The lower/largest LED is the coldest setting. The upper/smallest LED is the warmest setting. To switch from the coldest level to the warmest level press the  button again.



NOTE

The cooling performance can be affected by:

- The ambient temperature
- The amount of food to be conserved
- The frequency with which the door is opened.

If the ambient temperature is at 16 °C (61 °F) to 20 °C (68 °F), set the refrigerator to at least level 2.




8.4 Setting the fast cooling function



NOTICE! MATERIAL DAMAGE

- Only use the fast-cooling function when the removable freezer compartment is **not** being used. Otherwise there is a risk that the freezer compartment becomes too cold and condensate cannot be prevented from forming on the outside of the refrigerator. The energy consumption will also increase dramatically.
- Note that bottles and other containers can burst when frozen.
- Note that it is difficult to open the refrigerator directly after closing it.

The option of operating the refrigerator using a fast-cooling function allows temperatures suitable for freezing foods to be reached.

- Press the  button longer than 3 seconds.
- ✓ The LED above the  button lights up.
- Press the  button again longer than 3 seconds to operate the refrigerator in normal mode.

8.5 Conserving foodstuffs



NOTICE! MATERIAL DAMAGE

- Do not conserve **warm** foodstuffs in the refrigerator.
- Do not place glass containers containing liquid in the freezer compartment.

**NOTE**

Food which can easily absorb tastes and odors, as well as liquids and products with a high alcohol content, should be conserved in air-tight containers.

You can conserve foodstuffs in the refrigerator. The time for which the food can be conserved in this way is usually stated on the package.

The refrigerator is divided in different zones with different temperatures:


- The colder zones are immediately above the drawers for fruit and vegetables, near the back wall.
- Observe the temperature information and best before date on the food packaging.
- Observe the following when using the refrigerator:
 - Never re-freeze products which have started defrosting or have been defrosted; consume them as soon as possible.
 - Wrap food in aluminium foil or cling film and shut in a suitable box with a lid. This ensures that aromas, the shape and the freshness will be better conserved.

8.6 Defrosting the freezer

**NOTICE! MATERIAL DAMAGE**

Never use mechanical tools to remove ice or to loosen objects stuck to the device. The only exceptions are devices approved for the purpose by the manufacturer.

This is how to defrost the refrigerator:

- Empty the contents.
- If necessary, put them in another cooling device to keep them chilled.
- Press the  button until the refrigerator switches off.
- Close the door properly.

8.7 Releasing the lock

**NOTICE! MATERIAL DAMAGE**


Only adjust the locking mechanism when the door is open. If you use it with the door closed, you will damage the device.

The refrigerator has a locking mechanism (fig. **12** 1, page 8) which is also used to protect it during transport. The following settings are possible:

- **Lock** (turn wheel to the Right end stop): the door is locked and secured.
To open the door, lift the handle up and open it.
- **Vent** (turn wheel to the Left end stop): The door is slightly open, but fixed in position.
Use this position if you are not going to use the unit for a long time.

8.8 Switching off and storing the refrigerator

If you do not intend to use the refrigerator for a long time, proceed as follows:

- Press the  button until the refrigerator switches off.
- Disconnect the connection cable from the battery or disconnect the plug on the AC cable plug from the rectifier.
- Clean the refrigerator (see chapter “Cleaning and maintenance” on page 23).
- Turn the locking wheel (fig. **12** 1, page 8) to the Right end stop (“Vent”).
- Close the door until it latches in.
- ✓ The door stays open thus preventing smells from arising.

9 Cleaning and maintenance



NOTICE! MATERIAL DAMAGE

- Do not use abrasive cleaning agents or hard objects during cleaning as these can damage the refrigerator.
- Do not use hard or pointed tools to speed up the defrosting process.

- Always disconnect the device from the power supply before you clean and service it.
- Clean the refrigerator regularly and as soon as it becomes dirty with a damp cloth.
- Make sure that no water drips into the seals. This can damage the electronics.
- Wipe the refrigerator dry with a cloth after cleaning.
- Clean dust and dirt from the condenser at regular intervals.

10 Limited warranty

Refer to the sections below for information about warranty and warranty support in the US, Canada, and all other regions.

10.1 United States and Canada

LIMITED WARRANTY AVAILABLE AT
DOMETIC.COM/WARRANTY.

IF YOU HAVE QUESTIONS, OR TO OBTAIN A COPY OF THE LIMITED WARRANTY FREE OF CHARGE, CONTACT:

DOMETIC CORPORATION
CUSTOMER SUPPORT CENTER
1120 NORTH MAIN STREET
ELKHART, INDIANA 46514
1-800-544-4881 OPT. 1

10.2 All Other Regions

The statutory warranty period applies. If the product is defective, please contact the manufacturer's branch in your region (dometic.com/dealer) or your retailer.

For repair and warranty processing, please include the following documents when you send in the device:

- A copy of the receipt with purchasing date
- A reason for the claim or description of the fault

11 Disposal



WARNING! CHILDREN BEWARE

Before disposing of your old refrigerator:

- Take off the doors.
- Leave storage surfaces in the refrigerator so that children cannot climb inside.

- Place the packaging material in the appropriate recycling waste bins wherever possible.



If you wish to finally dispose of the product, ask your local recycling centre or specialist dealer for details about how to do this in accordance with the applicable disposal regulations.

12 Troubleshooting

The significance of the red LED (fig. 3 2, page 4)

For operational faults it illuminates several times. The number of pulses depends on the type of fault.

Each flash lasts for one quarter of a second. After the series of impulses a pause follows. The sequence for the fault is repeated every four seconds.

Number of flashes	Fault	Possible cause
1	Low Voltage	The supply voltage is outside of the set range
2	Excessive fan current	The fan load on the electronics unit is more than 1 A
	Too many start attempts	The compressor or fan has been started too often within a short period of time
3	The motor doesn't start	The rotor is jammed.
		The pressure difference in the cooling system is too high (> 5 bar)

Number of flashes	Fault	Possible cause
4	Speed too low	If the cooling system is overloaded, the minimum speed of the motor of 1,850 rpm cannot be maintained
5	Overheating of the electronics unit	If the cooling system is loaded too heavily or the temperature is set too high, the electronics can overheat
Constantly	Temperature sensor errors	Temperature sensor is defective

Compressor does not run (battery connection)

Problem	Possible cause	Remedy
$U_{Term} = 0V$	There is an interruption in the battery – electronics connection	Establish a connection
	Main switch faulty (if installed)	Replace the main switch
	Additional supply line fuse has blown (if installed)	Replace the supply line fuse
$U_{Term} \leq U_{CON}$	Battery voltage is too low	Charge the battery
Start attempt with $U_{Term} \leq U_{OFF}$	Loose cables Poor contact (corrosion)	Establish a connection
	Battery capacity too low	Replacing the battery
	Cable cross section too small	Replace the cable (fig. 10, page 8)
Start attempt with $U_{Term} \geq U_{ON}$	Ambient temperature too high	–
	Insufficient ventilation	Move the refrigerator to another location
	Condenser is dirty	Clean the condenser
Electric circuit between the pins in the compressor interrupted	Defective compressor	Contact customer service
No input voltage for controller and load dump board	Defective controller and load dump board assembly	Replace complete control module consisting of controller and load dump board

U_{Term} Voltage between the positive and negative terminals of the electronics

U_{ON} Cut-in voltage of the electronics

U_{OFF} Cut-off voltage of the electronics

Poor cooling, increase in interior temperature


Problem	Possible cause	Remedy
Compressor runs for a long time/continuously	Ambient temperature too high	–
	Insufficient ventilation	Move the refrigerator to another location
	Condenser is dirty	Clean the condenser
	Faulty fan	Replace the fan
Compressor does not run often	Battery capacity exhausted	Charge the battery

Unusual noises

Problem	Possible cause	Remedy
Loud humming	A component of the refrigerant circuit cannot move freely (touching the wall)	Bend the component carefully away from the obstruction
	There is a foreign object stuck between the cooling unit and the wall	Remove the foreign object
	Fan noise	Replace the fan

13 Technical data

	CRX50	CRX65
Model:	CRX0050	CRX0065
Refrigerator compartment storage volume:	41.2 l (1.45 cu.ft.)	50 l (1.77 cu.ft.)
Freezer compartment storage volume:	4.4 l (0.16 cu.ft.)	7.0 l (0.25 cu.ft.)
Total storage volume:	45 l (1.59 cu.ft.)	57 l (2.01 cu.ft.)
Voltage:	12 V $\overline{=}$ or 24 V $\overline{=}$	
Rated current		
12 V $\overline{=}$:	5.0 A	5.5 A
24 V $\overline{=}$:	2.6 A	2.8 A
Cooling temperature range		
Refrigerator:	+3 °C (37 °F) to +12 °C (54 °F)	
Freezer:	-15 °C (5 °F) to -5 °C (23 °F)	
Fast cooling (without dividing wall):	maximum -6 °C (21 °F) \pm 2 °C (36 °F)	
Climatic class:	T	
Relative humidity:	maximum 90 %	
Short-term inclination:	maximum 30°	
Max. pressure:	LP 11 bar/HP 25 bar	
Propellant:	C ₅ H ₁₀	
Refrigerant:	R134a	
Refrigerant quantity:	44 g (1.55 oz.)	45 g (1.58 oz.)
CO ₂ equivalent:	0.063 t (138.8 lbs)	0.064 t (141.1 lbs)
Global warming potential (GWP):	1430	1430

	CRX50	CRX65
Dimensions:	fig. 13 , page 9	fig. 14 , page 9
Weight:	17 kg (37.48 lbs)	19 kg (41.89 lbs)
Inspection/certification:		

Contains fluorinated greenhouse gases

Hermetically sealed equipment

Veillez lire attentivement cette notice avant le montage et la mise en service. Veillez ensuite la conserver. En cas de passer le produit, veuillez le transmettre au nouvel acquéreur.

Sommaire

1	Signification des symboles	31
2	Consignes de sécurité	31
3	Contenu de la livraison	35
4	Accessoires	35
5	Usage conforme	35
6	Description technique	36
7	Installation et raccordement du réfrigérateur	37
8	Utilisation du réfrigérateur	40
9	Nettoyage et entretien	44
10	Garantie Limitée	45
11	Élimination des déchets	46
12	Guide de dépannage	46
13	Caractéristiques techniques	49

1 Signification des symboles

**AVERTISSEMENT !**

Consigne de sécurité signalant une situation dangereuse qui peut entraîner la mort ou de graves blessures si elle n'est pas évitée.

**ATTENTION !**

Consigne de sécurité signalant une situation dangereuse qui peut entraîner des blessures de gravité moyenne ou légère si elle n'est pas évitée.

**AVIS !**

Remarque signalant une situation qui peut entraîner des dommages matériels si elle n'est pas évitée.

**REMARQUE**

Informations complémentaires sur l'utilisation du produit.

2 Consignes de sécurité

Le fabricant décline toute responsabilité pour des dommages dans les cas suivants :

- des défauts de montage ou de raccordement
- des sollicitations mécaniques et une tension de raccordement incorrecte ayant endommagé le matériel
- des modifications apportées au produit sans autorisation explicite de la part du fabricant
- une utilisation différente de celle décrite dans la notice

2.1 Sécurité générale



DANGER ! Le non-respect de cette mise en garde entraînera des blessures graves, voire mortelles.

Danger de mort par électrocution

- Sur les bateaux : veillez à ce que votre alimentation électrique soit sécurisée par un disjoncteur différentiel si l'appareil est branché sur le secteur.



AVERTISSEMENT ! Le non-respect de ces mises en garde peut entraîner des blessures graves, voire mortelles.

Danger de mort par électrocution

- Faire exécuter les installations dans des pièces humides et dans des zones exposées à l'eau uniquement par un spécialiste.
- Si l'appareil présente des dégâts visibles, vous ne devez pas le mettre en service.
- Si le câble de raccordement de l'appareil est endommagé, il doit être remplacé par le fabricant, son service après-vente ou une personne de qualification similaire, afin d'éviter tout danger.
- Seul un personnel qualifié est habilité à effectuer des réparations sur l'appareil. Toute réparation mal effectuée risquerait d'entraîner de graves dangers.

Risque pour la santé

- Cet appareil peut être utilisé par des enfants âgés de 8 ans et plus et des personnes ayant des capacités physiques, sensorielles ou mentales réduites ou un manque d'expérience et de connaissances, s'ils sont sous surveillance ou ont reçu des instructions sur l'utilisation de l'appareil en toute sécurité et comprennent les risques impliqués.
- Les enfants ne doivent pas jouer avec cet appareil.
- Le nettoyage et la maintenance ne doivent pas être effectués par des enfants sans surveillance.
- Les enfants âgés de 3 à 8 ans peuvent charger et décharger les appareils de réfrigération

Risque d'explosion

- Ne stockez aucune substance explosive comme p. ex. des aérosols contenant des agents propulseurs dans l'appareil.



ATTENTION ! Le non-respect de ces mises en garde peut entraîner des blessures légères ou de gravité modérée.

Risque d'écrasement

- Ne touchez pas la charnière.

Risque pour la santé

- Les produits alimentaires doivent être conservés dans leurs emballages originaux ou dans des récipients appropriés.



AVIS ! Risque d'endommagement

- Vérifiez que la tension indiquée sur la plaque signalétique correspond à l'alimentation électrique dont vous disposez.
- Ne tirez jamais sur le câble de raccordement pour sortir la fiche de la prise.
- Si le réfrigérateur est raccordé à la prise CC : débranchez de la batterie la glacière et les autres consommateurs d'énergie avant de raccorder un chargeur rapide.
- Si le réfrigérateur est raccordé à la prise CC : débranchez ou éteignez le réfrigérateur lorsque vous éteignez le moteur. Dans le cas contraire, il se pourrait que la batterie se décharge.
- N'utilisez pas le réfrigérateur pour le stockage de produits corrosifs ou de solvants !
- Veillez à ce que l'ouverture d'évacuation soit toujours propre.
- N'ouvrez jamais le circuit frigorifique.
- Ne transportez jamais l'appareil en position horizontale afin que l'huile ne puisse pas s'écouler du compresseur.
- Lors du transport, veillez à ne pas endommager le circuit frigorifique. Le réfrigérant du circuit frigorifique s'enflamme facilement. En cas d'endommagement du circuit frigorifique :
 - évitez tout feu ouvert et toute étincelle.
 - Aérez bien la pièce.
- Installez l'appareil dans un endroit sec et à l'abri des éclaboussures d'eau.

2.2 Consignes de sécurité concernant le fonctionnement de l'appareil



DANGER ! Le non-respect de cette mise en garde entraînera des blessures graves, voire mortelles.

Danger de mort par électrocution

- Ne touchez jamais les lignes électriques dénudées avec les mains nues. Cela est surtout valable en cas de fonctionnement sur secteur.



ATTENTION ! Le non-respect de ces mises en garde peut entraîner des blessures légères ou de gravité modérée.

Danger de mort par électrocution

- Avant de mettre l'appareil en service, assurez-vous que la ligne d'alimentation électrique et le connecteur sont secs.

Risque pour la santé

- Si la porte reste ouverte pendant une longue durée, la température risque d'augmenter considérablement dans les compartiments de l'appareil.
- Nettoyez régulièrement les surfaces qui entrent en contact avec les aliments, ainsi que les systèmes de drainage accessibles.
- Stockez la viande et le poisson crus dans des récipients appropriés afin qu'ils n'entrent pas en contact avec d'autres aliments qui se trouvent dans l'appareil ou ne risquent pas de couler dessus.
- Si l'appareil reste vide pendant une longue période :
 - Éteignez l'appareil.
 - Dégivrez l'appareil.
 - Nettoyez et séchez l'appareil.
 - Laissez la porte ouverte pour éviter la formation de moisissures à l'intérieur de l'appareil.

**AVIS ! Risque d'endommagement**

- N'exploitez aucun appareil électrique dans le réfrigérateur, sauf s'ils sont recommandés par le fabricant pour cet usage.
- Ne placez pas l'appareil près de flammes ou d'autres sources de chaleur (chauffage, rayons solaires, fours à gaz etc.).
- **Risque de surchauffe**
Veillez toujours à ce que la chaleur produite lors du fonctionnement puisse se dissiper suffisamment. Veillez à ce que l'appareil se trouve à distance suffisante des murs ou des objets, de sorte que l'air puisse circuler.
- Assurez-vous que les ouvertures d'aération ne sont pas recouvertes.
- Ne remplissez pas le bac intérieur de substances liquides ou de glace.
- Ne plongez jamais l'appareil dans l'eau.
- Tenez l'appareil et les câbles à l'abri de la chaleur et de l'humidité.
- Veillez à ce que la nourriture ne touche pas les parois du compartiment de réfrigération.
- L'utilisation d'une carte de répartition de charge est obligatoire pour toutes les applications de semi-remorque 12 V ou 24 V CC. Veillez à ce que la carte de répartition de charge et le module de commande soient toujours remplacés ensemble.

3 Contenu de la livraison

Quantité	Description
1	Réfrigérateur à tablettes
1	Sortie d'évacuation d'eau
1	Instructions de montage et de service

4 Accessoires

Disponibles en accessoires (non compris dans la livraison) :

Description	Explication	Réf.
Cadre de montage	Des cadres de montage encastrés et standard sont disponibles pour tous les modèles CRX.	Divers

Si vous avez des questions, veuillez contacter directement le revendeur ou votre fournisseur de service après-vente.

5 Usage conforme

Le réfrigérateur est conçu pour être installé dans des poids lourds. Il est recommandé d'installer l'appareil dans une position fixe. Une fois le montage effectué, seul l'avant de l'appareil doit pouvoir être accessible.

Le réfrigérateur convient uniquement pour réfrigérer, congeler et stocker des aliments. Le réfrigérateur n'est pas destiné au stockage conforme des médicaments.



ATTENTION ! RISQUE POUR LA SANTÉ

Veuillez vérifier si la puissance frigorifique du réfrigérateur correspond à la température de conservation recommandée pour les aliments que vous souhaitez conserver au frais.

6 Description technique

Les réfrigérateurs CoolMatic de la série CRX peuvent réfrigérer et tenir au frais les aliments. Le compartiment congélateur permet de congeler des aliments. Si le réfrigérateur est utilisé sans compartiment congélateur, il est possible de stocker des aliments surgelés à court terme grâce à la fonction de refroidissement rapide.

Tous les matériaux utilisés lors de la construction de la glacière n'altèrent pas la qualité des aliments. Le circuit frigorifique est sans entretien.

Le dispositif de réfrigération supporte pendant une courte durée d'être incliné à 30°.

La température se règle grâce au panneau de commande situé à l'intérieur du réfrigérateur, du côté gauche.

Quatre plages de température, de +3 °C (37 °F) à +12 °C (54 °F), ainsi qu'une fonction de refroidissement rapide, sont disponibles.

6.1 Éléments de commande à l'intérieur du réfrigérateur

Les différents types de réfrigérateurs sont représentés sur les illustrations suivantes :

- CRX50 : fig. **1**, page 3
- CRX65 : fig. **2**, page 3

Pos.	Explication
1	Compartiment congélateur
2	Panneau de commande
3	Clayette type grille (repliable pour pouvoir placer des bouteilles dans le réfrigérateur)
4	Clayette
5	Compartiment du bac à légumes
6	Blocage de bouteilles (pour maintenir les bouteilles dans le balconnet de la contre-porte)

6.2 Éléments de commande

Pos. dans fig. 3, page 4	Explication
1	Capteur IR pour la commutation de l'éclairage intérieur
2	Tableau d'affichage de service à LED
3	LED bleue : le compresseur fonctionne LED orange : le compresseur est arrêté
4	Touche Marche/Arrêt
5	Lumière intérieure
6	Touche de sélection de la température
7	LED : fonction de refroidissement rapide allumée
8	LED : niveaux de température

7 Installation et raccordement du réfrigérateur

7.1 Remarques relatives à l'installation du réfrigérateur

Observez les consignes suivantes en ce qui concerne l'installation :

- Installez le réfrigérateur de manière à ce que l'air chaud puisse bien s'échapper (fig. 4, page 5).

Légende de fig. 4, page 5

Pos.	Explication
1	air évacué chaud
2	air entrant froid
3	condenseur

Observez les dimensions de montage suivantes :

Modèle	Dimensions l x h x p (mm)	Dimensions l x h x p (pouces)
CRX50	390 x 544 x 550	15,35 x 21,42 x 21,65
CRX65	458 x 535 x 595	18,03 x 21,06 x 23,43

- Ne bouchez pas les ouvertures (fentes d'aération, etc.) du bâti ou de la structure d'encastrement.
- En fonctionnement normal du réfrigérateur, de l'eau de condensation se forme. Vous pouvez essuyer régulièrement l'eau de condensation au fond du réfrigérateur ou l'évacuer par une sortie d'évacuation au fond du réfrigérateur (voir chapitre « Montage de la sortie d'évacuation d'eau (en option) », page 38).

7.2 Montage de la sortie d'évacuation d'eau (en option)

- Reliez un tuyau, de diamètre intérieur de 10 mm (2 inch) (non fourni), à la sortie d'évacuation.
- Allongez le réfrigérateur sur le côté afin d'accéder à la partie inférieure.
- Montez la sortie d'évacuation d'eau (fig. **5** 2, page 6) en l'alignant à l'avant ou à l'arrière, selon le sens d'évacuation souhaité.
- Retirez le bouchon d'évacuation d'eau (fig. **5** 1, page 6) à l'intérieur du réfrigérateur.

7.3 Installation du réfrigérateur

Procédez de la manière suivante pour installer le réfrigérateur :

- si vous souhaitez évacuer l'eau de condensation par un flexible :
Montez la tubulure d'évacuation d'eau (voir chapitre « Montage de la sortie d'évacuation d'eau (en option) », page 38)
- Retirez la sécurité de transport (chapitre « Déverrouillage », page 43).
- Ouvrez la porte du réfrigérateur.
- Retirez les caches (fig. **6** 2, page 6).
- Insérez le réfrigérateur dans l'alcôve.
- Fixez le réfrigérateur avec des vis adaptées (fig. **6** 1, page 6).
- Enfoncez les caches (fig. **6** 2, page 6) dans les trous.

7.4 Modification du côté d'ouverture de la porte

Vous pouvez modifier le côté d'ouverture de la porte de sorte que la porte s'ouvre vers la gauche plutôt que vers la droite.

- Procédez tel qu'il est illustré (fig. **7** , page 7 à fig. **9** , page 7).

7.5 Raccordement du réfrigérateur à la tension continue



AVIS ! RISQUE D'ENDOMMAGEMENT

- Pour éviter des pertes de tension et de puissance frigorifique, le câble de raccordement doit être le plus court possible et ne doit pas être interrompu.
Évitez donc de placer des interrupteurs, des connecteurs ou des répartiteurs supplémentaires.
- Débranchez l'appareil et les autres consommateurs d'énergie de la batterie avant de recharger la batterie avec un chargeur rapide. Les surtensions peuvent endommager l'électronique des appareils.

Les réfrigérateurs peuvent être branchés sur une tension continue de 12 V ou 24 V.

Pour des raisons de sécurité, le réfrigérateur est équipé d'un système électronique pour empêcher l'inversion de polarité. Cela protège le réfrigérateur des courts-circuits et de l'inversion de polarité lors du branchement sur une batterie.

L'utilisation d'une carte de répartition de charge installée sur le module d'électronique de commande du compresseur est obligatoire. Si l'un des composants doit être remplacé, les traiter comme une seule unité.

Pour protéger la batterie, le réfrigérateur s'éteint automatiquement lorsque la tension n'est plus suffisante (voir tableau suivant) :

	12 V	24 V
Tension d'arrêt	10,4 V	22,8 V
Tension de remise en marche	11,7 V	24,2 V

- Déterminez la section nécessaire du câble en fonction de sa longueur, selon fig. 10, page 8.

Légende de la fig. 10, page 8 :

Axe des coordonnées	Signification	Unité
l	Longueur de câble	m
∅	Section du câble	mm ²



AVIS ! RISQUE D'ENDOMMAGEMENT

Ce faisant, respectez la polarité.

- Avant de mettre l'appareil en service, vérifiez que la tension de service et celle de la batterie sont identiques (voir la plaque signalétique).
- Raccordez le réfrigérateur à une prise femelle protégée par un fusible de 15 A (pour une tension de 12 V) ou 7,5 A (pour une tension de 24 V) (fig. 11 1, page 8).
- Raccordez le câble rouge (fig. 11 rd, page 8) au pôle positif de la batterie.
- Raccordez le câble noir (fig. 11 bk, page 8) au pôle négatif de la batterie.

8 Utilisation du réfrigérateur

Le réfrigérateur permet la conservation des aliments frais. Le compartiment congélateur conserve les aliments congelés et congèle les aliments frais.



AVIS ! RISQUE D'ENDOMMAGEMENT

- Il est interdit d'utiliser un appareil électrique à l'intérieur du réfrigérateur. Les seules exceptions sont les appareils autorisés par le fabricant à cet effet.
- Veillez à ce que les boissons ou aliments placés dans des récipients en verre ne soient pas soumis à des températures trop basses. En gelant, le volume des boissons et aliments liquides augmente, ce qui peut détruire les récipients en verre.
- Les produits alimentaires doivent être conservés dans leurs emballages originaux ou dans des récipients appropriés.
- Veillez à ne déposer dans la glacière que des objets ou des aliments qui peuvent être réfrigérés à la température sélectionnée.



REMARQUE

- Avant de mettre en service votre nouveau réfrigérateur, vous devez, pour des raisons d'hygiène, le nettoyer à l'intérieur et à l'extérieur à l'aide d'un tissu humide (voir aussi chapitre « Nettoyage et entretien », page 44).
- Ne fermez pas le clapet du compartiment congélation en appuyant violemment dessus.
- Ne sortez pas la paroi de séparation si de la glace se trouve dans le compartiment congélation.
- Ne retirez pas la membrane du panneau de commande lors de l'utilisation du réfrigérateur.

8.1 Comment économiser de l'énergie ?

- Choisissez un emplacement bien aéré et à l'abri du soleil.
- Laissez refroidir les aliments chauds avant de les mettre dans le réfrigérateur.
- N'ouvrez pas le réfrigérateur plus souvent que nécessaire. Si la porte reste ouverte plus de 5 minutes, la lumière commence à clignoter.
- Ne laissez pas la porte ouverte plus longtemps que nécessaire.
- Dégivrez le réfrigérateur dès qu'une couche de glace s'est formée.
- Évitez une température intérieure inutilement basse.
- Nettoyez régulièrement le condenseur pour enlever la poussière et les salissures.

8.2 Mise en marche du réfrigérateur

- Allumez le réfrigérateur en appuyant sur la touche ①.



REMARQUE

Après la mise en marche, le réfrigérateur a besoin d'un certain temps avant que le compresseur ne se mette en marche.

8.3 Réglage de la température

- Appuyez plusieurs fois sur la touche ② jusqu'à ce que le niveau de température souhaité soit réglé. La LED inférieure / principale correspond à la température la plus froide. La LED supérieure / plus petite indique la température la plus élevée. Pour passer du niveau le plus froid au niveau le plus chaud, appuyez à nouveau sur la touche ②.



REMARQUE

La puissance frigorifique peut être influencée par :

- la température ambiante,
- la quantité des aliments à conserver,
- la fréquence de l'ouverture de la porte.

Si la température ambiante est comprise entre 16 °C (61 °F) et 20 °C (68 °F), placez le réfrigérateur au minimum sur le niveau 2.




8.4 Réglage de la fonction de refroidissement rapide



AVIS ! RISQUE D'ENDOMMAGEMENT

- Utilisez la fonction de refroidissement rapide uniquement lorsque le compartiment congélateur amovible **n'est pas** utilisé. Sinon, le compartiment congélateur risque d'être extrêmement froid et de provoquer une condensation d'eau hors du réfrigérateur. Cela augmenterait de plus fortement la consommation d'énergie.
- Tenez compte du fait que les bouteilles et autres récipients peuvent éclater en gelant.
- Tenez compte du fait qu'il est difficile d'ouvrir la porte du réfrigérateur juste après l'avoir fermée.

Il est possible d'utiliser le réfrigérateur avec une fonction de refroidissement rapide pour atteindre des températures de congélation.

- Appuyez plus de 3 secondes sur la touche .
- ✓ La LED au-dessus de la touche  de la température s'allume.
- Appuyez de nouveau sur la touche  pendant plus de 3 secondes afin d'utiliser le réfrigérateur avec la fonction de refroidissement normal.

8.5 Conservation des aliments



AVIS ! RISQUE D'ENDOMMAGEMENT

- Ne conservez pas les aliments **chauds** dans le réfrigérateur.
- Ne placez pas de récipients en verre remplis de liquides dans le compartiment congélateur.



REMARQUE

Conservez les aliments qui ont tendance à absorber les odeurs et les arômes, ainsi que les liquides et les produits à forte teneur en alcool dans des conteneurs hermétiques.

Vous pouvez conserver des aliments dans le réfrigérateur. Normalement, la durée de conservation des aliments est indiquée sur l'emballage.

Le compartiment réfrigérateur se répartit en plusieurs zones qui présentent différentes températures :

- Les zones les plus froides se trouvent directement au-dessus du bac à légumes, près de la paroi arrière.

- Veuillez respecter les indications relatives à la température et à la péremption figurant sur les emballages des aliments.
- Observez les consignes suivantes en ce qui concerne la conservation :
 - Ne recongelez jamais des produits en cours de décongélation ou décongelés, consommez-les au plus vite.
 - Enveloppez les aliments dans une feuille d'aluminium ou un film plastique et placez-les dans un récipient à couvercle. De cette façon, les arômes, la substance et la fraîcheur se conservent mieux.

8.6 Dégivrage du freezer



AVIS ! RISQUE D'ENDOMMAGEMENT

N'utilisez jamais d'outils mécaniques pour enlever les couches de glace ou pour détacher des objets pris dans le givre. Les seules exceptions sont les appareils autorisés par le fabricant à cet effet.

Procédez de la manière suivante pour dégivrer le réfrigérateur :

- Retirez les aliments.
- Placez-les éventuellement dans un autre réfrigérateur pour qu'ils restent froids.
- Appuyez sur la touche ① jusqu'à ce que le réfrigérateur s'éteigne.
- Ouvrez complètement la porte.

8.7 Déverrouillage



AVIS ! RISQUE D'ENDOMMAGEMENT

Changez le mécanisme de verrouillage uniquement lorsque la porte est ouverte. Une exploitation avec la porte fermée entraînera l'endommagement de l'appareil.

Le réfrigérateur dispose d'un mécanisme de verrouillage (fig. **12** 1, page 8) servant également de protection de transport. Les réglages suivants sont possibles :

- **Lock** (tournez la mollette à fond vers la droite) : la porte est fermée et bloquée. Pour ouvrir la porte, tirez la poignée vers le haut et ouvrez la porte.
- **Vent** (tournez la mollette à fond vers la gauche) : la porte est légèrement ouverte, mais toutefois bloquée. Utilisez cette position si vous devez éteindre l'appareil pour une durée prolongée.

8.8 Arrêt et mise hors service du réfrigérateur

Lorsque vous voulez mettre le réfrigérateur hors service pendant une période prolongée, procédez de la façon suivante :

- Appuyez sur la touche ① jusqu'à ce que le réfrigérateur s'éteigne.
- Débranchez le câble de raccordement de la batterie ou débranchez la prise de la ligne de courant alternatif en la retirant du redresseur.
- Nettoyez le réfrigérateur (voir chapitre « Nettoyage et entretien », page 44).
- Tournez la mollette de verrouillage (fig. 12 1, page 8) à fond vers la droite (« Vent »).
- Fermez la porte jusqu'à ce qu'elle s'enclenche.
- ✓ La porte reste entrouverte et empêche ainsi que de mauvaises odeurs ne se forment.

9 Nettoyage et entretien



AVIS ! RISQUE D'ENDOMMAGEMENT

- N'utilisez pas de produits de lavage abrasifs ou d'objets durs pour le nettoyage car ceux-ci pourraient endommager l'appareil.
 - N'utilisez pas d'outils durs ou pointus pour accélérer le processus de dégivrage.
-
- Avant toute opération de nettoyage ou d'entretien de l'appareil, veillez à débrancher celui-ci du secteur.
 - Nettoyez le réfrigérateur régulièrement et dès qu'il est sale, avec un chiffon humide.
 - Veillez à ce que de l'eau ne goutte pas sur les joints. Cela risque d'endommager les composants électroniques.
 - Essuyez l'appareil avec un chiffon après l'avoir nettoyé.
 - Nettoyez régulièrement le condenseur pour enlever la poussière et les salissures.

10 Garantie Limitée

Consultez les sections ci-dessous pour de plus amples informations relatives à la garantie et l'assistance dans le cadre de la garantie aux États-Unis, au Canada et dans toutes les autres régions.

10.1 États-Unis et Canada

GARANTIE LIMITÉE DISPONIBLE À
DOMETIC.COM/WARRANTY.

POUR TOUTE QUESTION OU POUR OBTENIR UNE COPIE GRATUITE DE LA GARANTIE LIMITÉE, CONTACTER :

DOMETIC CORPORATION
CUSTOMER SUPPORT CENTER
1120 NORTH MAIN STREET
ELKHART, INDIANA, ÉTATS-UNIS 46514
1-800-544-4881 OPT. 1

10.2 Toutes les autres régions

Le délai légal de garantie s'applique. Si le produit s'avérait défectueux, veuillez vous adresser à la filiale du fabricant située dans votre pays (dometic.com/dealer) ou à votre revendeur spécialisé.

Veuillez y joindre les documents suivants pour la gestion des réparations et de la garantie :

- une copie de la facture avec la date d'achat
- le motif de la réclamation ou une description du dysfonctionnement

11 Élimination des déchets



AVERTISSEMENT ! RISQUE D'ENFERMEMENT POUR LES ENFANTS

Avant de mettre au rebut votre ancien réfrigérateur :

- Enlevez les portes de leurs gonds.
- Laissez les clayettes dans le réfrigérateur, afin que les enfants ne puissent pas entrer dedans.

► Jetez les emballages dans les conteneurs de déchets recyclables prévus à cet effet.



Lorsque vous mettez votre produit définitivement hors service, informez-vous auprès du centre de recyclage le plus proche ou auprès de votre revendeur spécialisé sur les prescriptions relatives au retraitement des déchets.

12 Guide de dépannage

Signification du témoin lumineux LED rouge (fig. 3 2, page 4)

En cas de défaut de fonctionnement, la LED clignote plusieurs fois. Le nombre d'impulsions dépend du type de défaut.

Chaque clignotement dure un quart de seconde. Une pause suit la série de clignotements. La séquence correspondant au défaut est répétée toutes les quatre secondes.

Nombre d'impulsions lumineuses	Dysfonctionnement	Cause possible
1	Sous-tension	La tension d'alimentation se trouve en dehors de la plage réglée
2	Surintensité du ventilateur	Le ventilateur exige de l'unité électronique une intensité de plus d'1 A
	Tentatives de démarrage trop nombreuses	Le compresseur ou le ventilateur ont démarré trop souvent dans un bref délai
3	Le moteur ne démarre pas	Le rotor est coincé.
		La pression différentielle dans le système réfrigérant est trop élevée (> 5 bar)

Nombre d'impulsions lumineuses	Dysfonctionnement	Cause possible
4	Vitesse de rotation trop faible	Un système de refroidissement subissant des charges trop élevées empêche le moteur de tourner au régime minimum requis de 1 850 tr/min
5	Surtempérature de l'unité électronique	Si le système réfrigérant est trop sollicité ou atteint une température trop élevée, les composants électroniques chauffent trop
Permanent	Erreur du capteur de température	Le capteur de température est défectueux

Le compresseur ne fonctionne pas (raccordement sur batterie)

Problème	Cause possible	Solution
$U_{\text{Bornes}} = 0 \text{ V}$	Interruption de la ligne de raccordement entre la batterie et l'électronique	Établir la connexion
	Commutateur principal défectueux (s'il fait partie des composants)	Changer l'interrupteur principal
	Le fusible supplémentaire de la ligne est grillé (s'il fait partie des composants)	Changer le fusible de la ligne
$U_{\text{Bornes}} \leq U_{\text{Marche}}$	Tension de batterie trop faible	Charger la batterie
Tentative de démarrage avec $U_{\text{Bornes}} \leq U_{\text{Arret}}$	Les câbles sont débranchés Mauvais contact (corrosion)	Établir la connexion
	Capacité de batterie trop faible	Changement des piles
	Section du câble trop petite	Changer le câble (fig. 10 , page 8)

Problème	Cause possible	Solution
Tentative de démarrage avec $U_{\text{Bornes}} \geq U_{\text{Marche}}$	Température ambiante trop élevée	–
	Ventilation par aspiration et aération insuffisante	Déplacer l'appareil
	Le condenseur est sale	Nettoyer le condenseur
Interruption électrique dans le compresseur entre les broches	Compresseur défectueux	Contactez le service client
Pas de tension d'entrée pour le contrôleur et la carte de répartition de charge	Dispositif de commande et carte de répartition de charge défectueux	Remplacer le module de commande complet composé d'un contrôleur et d'une carte de répartition de charge

U_{Bornes} Tension entre la borne positive et la borne négative de l'électronique

U_{Marche} Tension de démarrage de l'électronique

U_{Arret} Tension d'arrêt de l'électronique

Diminution de la puissance frigorifique, augmentation de la température intérieure


Problème	Cause possible	Solution
Longue durée de fonctionnement / fonctionnement continu du compresseur	Température ambiante trop élevée	–
	Ventilation par aspiration et aération insuffisante	Déplacer l'appareil
	Le condenseur est sale	Nettoyer le condenseur
	Ventilateur défectueux	Changer le ventilateur
Le compresseur fonctionne rarement	Batterie à plat	Charger la batterie

Bruits inhabituels

Problème	Cause possible	Solution
Fort ronflement	Les mouvements d'un élément du circuit de refroidissement sont bloqués (l'élément est coincé contre la paroi)	Redresser l'élément avec précaution
	Corps étranger coincé entre l'unité de réfrigération et la paroi	Retirer le corps étranger
	Le ventilateur fait du bruit	Changer le ventilateur

13 Caractéristiques techniques

	CRX50	CRX65
Modèle :	CRX0050	CRX0065
Capacité du compartiment réfrigérateur :	41,2 l (1,45 cu.ft.)	50 l (1,77 cu.ft.)
Capacité compartiment congélateur :	4,4 l (0,16 cu.ft.)	7,0 l (0,25 cu.ft.)
Capacité :	45 l (1,59 cu.ft.)	57 l (2,01 cu.ft.)
Tension :	12 V $\overline{\text{---}}$ ou 24 V $\overline{\text{---}}$	
Courant nominal		
12 V $\overline{\text{---}}$:	5,0 A	5,5 A
24 V $\overline{\text{---}}$:	2,6 A	2,8 A
Plage de température de refroidissement		
Réfrigérateur :	+3 °C (37 °F) à +12 °C (54 °F)	
Congélateur :	-15 °C (5 °F) à -5 °C (23 °F)	
Refroidissement rapide (sans cloison) :	-6 °C (21 °F) \pm 2 °C (36 °F) maximum	
Classe climatique :	T	
Humidité de l'air :	maximum 90 %	
Inclinaison à court terme :	maximum 30°	
Pression max. :	BP 11 bar/HP 25 bar	
Fluide moteur :	C ₅ H ₁₀	

	CRX50	CRX65
Réfrigérant :	R134a	
Quantité de réfrigérant :	44 g (1,55 oz.)	45 g (1,58 oz.)
Équivalent CO ₂ :	0,063 t (138,8 lbs)	0,064 t (141,1 lbs)
Potentiel d'effet de serre (GWP) :	1430	
Dimensions :	fig. 13 , page 9	fig. 14 , page 9
Poids :	17 kg (37,48 lbs)	19 kg (41,89 lbs)
Contrôle / certificat :		

Contient des gaz à effet de serre fluorés

Équipement hermétiquement scellé

Lea detenidamente estas instrucciones antes de llevar a cabo la instalación y puesta en funcionamiento, y consérvelas en un lugar seguro. En caso de vender o entregar el producto a otra persona, entregue también estas instrucciones.

Índice

1	Explicación de símbolos	52
2	Instrucciones de seguridad	52
3	Contenido de la entrega.	56
4	Accesorios.	56
5	Uso previsto	56
6	Descripción técnica	56
7	Instalación y conexión de la nevera	58
8	Uso de la nevera	61
9	Limpieza y mantenimiento	65
10	Garantía Limitada	65
11	Eliminación	66
ã	Deseche el material de embalaje en el contenedor de reciclaje correspondiente.	66
13	Datos técnicos.	69

1 Explicación de símbolos

**¡ADVERTENCIA!**

Aviso de seguridad sobre una situación de peligro que, si no se evita, puede causar la muerte o heridas graves.

**¡ATENCIÓN!**

Aviso de seguridad sobre una situación de peligro que, si no se evita, puede causar heridas leves o de consideración.

**¡AVISO!**

Aviso sobre una situación que, si no se evita, puede causar daños materiales.

**NOTA**

Información complementaria para el manejo del producto.

2 Instrucciones de seguridad

El fabricante declina toda responsabilidad ante daños ocurridos en los siguientes casos:

- errores de montaje o de conexión
- desperfectos en el producto debidos a influencias mecánicas y una tensión de conexión incorrecta
- modificaciones realizadas en el producto sin el expreso consentimiento del fabricante
- utilización del aparato para fines distintos a los descritos en las instrucciones

2.1 Seguridad general



¡PELIGRO! El incumplimiento de estas advertencias puede acarrear la muerte o lesiones graves.

Peligro de muerte por descarga eléctrica

- En embarcaciones: en caso de funcionamiento conectado a la red eléctrica, asegúrese de que el suministro de corriente esté protegido con un interruptor diferencial.



¡ADVERTENCIA! El incumplimiento de estas advertencias podría acarrear la muerte o lesiones graves.

Peligro de muerte por descarga eléctrica

- Las instalaciones en recintos húmedos y zonas expuestas al agua deberán realizarlas exclusivamente técnicos especializados.
- No ponga el aparato en funcionamiento si presenta desperfectos visibles.
- Si se daña el cable de conexión del aparato, el fabricante, su servicio de atención al cliente o una persona cualificada debe reemplazarlo para evitar así posibles peligros.
- Solo personal especializado puede realizar reparaciones en el aparato. Las reparaciones que se realicen incorrectamente pueden dar lugar a situaciones de considerable peligro.

Riesgo para la salud

- Este aparato puede ser utilizado por menores a partir de 8 años y personas con capacidad física, sensorial o mental reducida, o con falta de experiencia y conocimientos, siempre que lo hagan bajo supervisión o hayan recibido instrucciones relativas al uso del mismo de manera segura y entendiendo los riesgos asociados.
- No deje que los niños jueguen con el aparato.
- Los niños solo podrán realizar las tareas de limpieza y mantenimiento bajo vigilancia.
- Los menores de 3 a 8 años pueden meter y sacar artículos de la nevera.

Peligro de explosión

- No guarde en el aparato sustancias con peligro de explosión como, p. ej., sprays con gases combustibles.



¡ATENCIÓN! El incumplimiento de estas precauciones podría acarrear lesiones moderadas o leves.

Peligro de aplastamiento

- No introduzca la mano en el área de acción de la bisagra.

Riesgo para la salud

- Los alimentos solo se pueden guardar en los envases originales o en recipientes adecuados.

**¡AVISO! Peligro de ocasionar daños materiales**

- Compare el valor de tensión indicado en la placa de características con el suministro de energía existente.
- No desenchufe nunca el cable de conexión tirando de él.
- Si la nevera está conectada al enchufe de CC: desconecte de la batería la nevera u otros aparatos conectados si va a conectar un cargador rápido.
- Si la nevera está conectada al enchufe de CC: desenchúfela o apáguela cuando apague el motor. De lo contrario, podría descargarse la batería.
- Esta nevera no es apta para almacenar sustancias corrosivas o que contengan disolventes.
- Mantenga siempre limpias las aberturas de descarga.
- No abra nunca el circuito de refrigeración.
- No transporte nunca el aparato en posición horizontal para así evitar que el aceite salga del compresor.
- Al transportarla, asegúrese de no dañar el circuito de refrigeración. El refrigerante del circuito de refrigeración es muy inflamable.
En caso de daños en el circuito de refrigeración:
 - evite las llamas abiertas y las chispas.
 - Ventile bien la habitación.
- Coloque el aparato en un lugar seco y protegido contra posibles salpicaduras de agua.

2.2 Seguridad durante el funcionamiento del aparato

**¡PELIGRO! El incumplimiento de estas advertencias puede acarrear la muerte o lesiones graves.****Peligro de muerte por descarga eléctrica**

- No toque directamente con las manos cables sin aislamiento. Esto rige especialmente en caso de funcionamiento con la red de corriente alterna.

**¡ATENCIÓN! El incumplimiento de estas precauciones podría acarrear lesiones moderadas o leves.****Peligro de muerte por descarga eléctrica**

- Antes de la puesta en funcionamiento, asegúrese de que el cable de alimentación y la clavija de enchufe estén secos.

Riesgo para la salud

- Si mantiene la puerta abierta durante demasiado tiempo, la temperatura de los compartimentos del aparato puede aumentar considerablemente.
- Limpie periódicamente las superficies que puedan estar en contacto con alimentos y los sistemas de desagüe accesibles.
- Guarde la carne y el pescado crudos en recipientes adecuados dentro del aparato para que no entren en contacto con otros alimentos ni goteen sobre estos.
- Si el aparato va a estar vacío durante un período prolongado:
 - Desconéctelo.
 - Descongélalo.
 - Límpielo y séquelo.
 - Deje la puerta abierta para evitar que se forme moho en el aparato.



¡AVISO! Peligro de ocasionar daños materiales

- No utilice ningún aparato eléctrico dentro del enfriador, a no ser que el aparato en cuestión haya sido recomendado para ello por el fabricante.
- No coloque el aparato cerca de llamas abiertas ni de otras fuentes de calor (calefacción, radiación directa del sol, estufas de gas, etc.).
- **¡Peligro de sobrecalentamiento!**
Asegúrese de que quede constantemente garantizada una salida adecuada del calor que se desprende durante el funcionamiento. Asegúrese también de que el aparato guarde la suficiente distancia respecto a paredes u objetos, de forma que el aire pueda circular.
- Evite que se obstruyan las aberturas de ventilación.
- No introduzca líquidos ni hielo en el recipiente interior.
- No sumerja nunca el aparato en agua.
- Proteja el aparato y los cables del calor y de la humedad.
- Preste atención a que los alimentos no toquen ninguna pared del interior de la nevera.
- El uso de una placa de desconexión de carga es obligatorio en todas las aplicaciones de Semi Truck con corriente continua de 12 V o 24 V. Asegúrese de sustituir siempre conjuntamente la placa de desconexión de carga y el módulo de control.

3 Contenido de la entrega

Cantidad	Descripción
1	Nevera con estantes
1	Salida de drenaje de agua
1	Instrucciones de montaje y de uso

4 Accesorios

Disponibles como accesorios (no se incluye en el contenido de la entrega):

Descripción	Explicación	N° de art.
Marco de montaje	Los marcos de montaje empotrados o estándar están disponibles para todos los modelos CRX.	Varios

Si tiene alguna pregunta, póngase en contacto directamente con el distribuidor o con su socio de servicios.

5 Uso previsto

La nevera está concebida para su instalación en camiones. Se recomienda que la unidad esté instalada en una posición fija. Una vez instalada, solo el frontal del electrodoméstico puede ser accesible.

La nevera solo es adecuada para refrigerar, congelar y almacenar alimentos. La nevera no está diseñada para el almacenamiento adecuado de medicinas.



¡ATENCIÓN! ¡PELIGRO PARA LA SALUD

Por favor, compruebe si la potencia de refrigeración es adecuada para almacenar los alimentos que quiere enfriar.

6 Descripción técnica

Los electrodomésticos de refrigeración de la serie CoolMatic CRX pueden enfriar los productos y mantenerlos fríos. Los productos pueden congelarse en el congelador. Si la nevera se usa sin congelador, los productos se pueden almacenar a corto plazo utilizando la función de enfriamiento rápido.

Todos los materiales utilizados en el refrigerador son compatibles con el uso de alimentos. El circuito de refrigeración no necesita mantenimiento.

El aparato de refrigeración puede soportar una inclinación de 30° a corto plazo.

La temperatura se establece usando el panel de control en el interior de la nevera a la izquierda.

Se pueden seleccionar cuatro rangos de temperatura entre +3 °C (37 °F) y +12 °C (54 °F), así como una función de enfriamiento rápido.

6.1 Elementos de mando dentro de la nevera

En las siguientes ilustraciones se muestran los diversos tipos de neveras:

- CRX50: fig. **1**, página 3
- CRX65: fig. **2**, página 3

N.º	Explicación
1	Congelador
2	Panel de control
3	Estante de rejilla (plegable, para que las botellas se puedan poner en la nevera)
4	Estante
5	Compartimento de verduras
6	Soporte de botellas (para sujetar las botellas en la puerta)

6.2 Elementos de mando

N.º en fig. 3 , página 4	Explicación
1	Sensor IR para encender la iluminación interior
2	Pantalla de servicio LED
3	LED azul: el compresor está en marcha LED naranja: el compresor está apagado
4	Pulsador de encendido/apagado
5	Iluminación interior

N.º en fig. 3 , página 4	Explicación
6	Pulsador de selección de temperatura
7	LED: Función de enfriamiento rápido activada
8	LED: niveles de temperatura

7 Instalación y conexión de la nevera

7.1 Notas sobre la instalación de la nevera

Preste atención a lo siguiente al instalar la nevera:

- Instale la nevera de modo que el aire caliente producido fluya fácilmente hacia fuera (hacia arriba o hacia los lados, fig. **4**, página 5).

Clave para la fig. **4**, página 5

N.º	Explicación
1	Aire caliente de salida
2	Aire de admisión frío
3	Condensador

Tenga en cuenta las siguientes dimensiones de montaje:

Modelo	Dimensiones An x Al x P (mm)	Dimensiones An x Al x P (pulgadas)
CRX50	390 x 544 x 550	15.35 x 21.42 x 21.65
CRX65	458 x 535 x 595	18.03 x 21.06 x 23.43

- Mantenga los objetos separados de las aberturas en el alojamiento o la estructura de montaje (tales como ranuras de ventilación, etc.).
- Se produce condensación cuando la nevera funciona con normalidad. Puede limpiar la condensación del suelo de la nevera a intervalos regulares o drenarla a través de una salida de drenaje de agua en el suelo de la nevera (ver capítulo "Montaje de la salida de drenaje de agua (opcional)" en la página 59).

7.2 Montaje de la salida de drenaje de agua (opcional)

- Conecte una manguera con un diámetro interno de 10 mm (2 inch) (no incluida) a la salida de drenaje de agua.
- Apoye la nevera sobre un lado para poder acceder a la parte inferior.
- Monte la salida de drenaje de agua (fig. **5** 2, página 6) alineada con el frontal o con la parte trasera de acuerdo con la dirección deseada.
- Retire el tapón (fig. **5** 1, página 6) de dentro de la nevera.

7.3 Instalación de la nevera

Para instalar la nevera haga lo siguiente:

- Si quiere drenar la condensación mediante una manguera:
Monte el puerto de drenaje de agua (ver capítulo "Montaje de la salida de drenaje de agua (opcional)" en la página 59)
- Deshaga el bloqueo de transporte (capítulo "Liberación del cierre" en la página 64).
- Abra la puerta de la nevera.
- Retire los tapones ciegos (fig. **6** 2, página 6).
- Empuje la nevera hacia el hueco.
- Fije la nevera en el sitio usando tornillos adecuados (fig. **6** 1, página 6).
- Presione los tapones ciegos (fig. **6** 2, página 6) hacia las aberturas.

7.4 Cambiar la bisagra de la puerta

También puede cambiar la bisagra de la puerta para que abra a la izquierda en vez de a la derecha.

- Proceda conforme a lo descrito (fig. **7**, página 7 a la fig. **9**, página 7).

7.5 Conectar la nevera a la tensión CC



¡AVISO! PELIGRO DE SUFRIR DESPERFECTOS

- Para evitar caídas de tensión y pérdida de rendimiento, use un cable de conexión lo más corto posible y sin interrupciones. Por lo tanto, evite interruptores, tapones o regletas adicionales.
- Desconecte el aparato de refrigeración y otros consumidores eléctricos de la batería antes de conectar la batería a un cargador rápido. Una sobretensión puede dañar la electrónica del aparato.

La nevera puede funcionar con una alimentación de tensión alterna de 12 V o 24 V.

Por motivos de seguridad, la nevera está equipada con un sistema electrónico para evitar que se invierta la polaridad. Esto protege la nevera contra la inversión de polaridad cuando se conecta a una batería, y contra cortocircuitos.

Es obligatorio el uso de la placa de desconexión de carga instalada en el circuito electrónico del módulo de control del compresor. Si se ha de sustituir uno de los componentes, se han de tratar todos como una unidad.

Para proteger la batería, la nevera se apaga automáticamente si la tensión es insuficiente (ver tabla a continuación):

	12 V	24 V
Tensión de corte	10.4 V	22.8 V
Tensión de reconexión	11.7 V	24.2 V

- Determine la sección transversal requerida para el cable en relación con la longitud del cable de acuerdo con fig. 10, página 8.

Clave para la fig. 10, página 8:

Eje de coordenadas	Significado	Unidad
I	Longitud de cable	m
∅	Sección de cable	mm ²



¡AVISO! PELIGRO DE SUFRIR DESPERFECTOS

Asegúrese de que la polaridad es correcta.

- Antes de poner en marcha el aparato por primera vez, compruebe si la tensión de funcionamiento y la tensión de la batería coinciden (ver placa de características).

- Conecte su nevera a un enchufe que esté protegido por fusible a 15 A (a 12 V) o 7.5 A (a 24 V) (fig. 11 1, página 8).
- Conecte el cable rojo (fig. 11 rd, página 8) al polo positivo de la batería.
- Conecte el cable negro (fig. 11 bk, página 8) al polo negativo de la batería.

8 Uso de la nevera

La nevera conserva frescos los alimentos. El congelador conserva los alimentos congelados y congela los alimentos frescos.



¡AVISO! PELIGRO DE SUFRIR DESPERFECTOS

- No ponga aparatos eléctricos dentro de la nevera. Las únicas excepciones son los aparatos aprobados para ese fin por el fabricante.
- Asegúrese de que los alimentos y los líquidos en recipientes de vidrio no estén excesivamente refrigerados. Los líquidos se expanden cuando se congelan y, por lo tanto, pueden destrozar los recipientes de vidrio.
- Los alimentos solo se pueden almacenar en su envase original o en recipientes adecuados.
- Asegúrese de que solo coloca artículos en la nevera que puedan conservarse a la temperatura seleccionada.



NOTA

- Antes de poner en marcha su nueva nevera por primera vez, debe limpiarla por dentro y por fuera con un paño húmedo por motivos de higiene (por favor, consulte también capítulo "Limpieza y mantenimiento" en la página 65).
- No haga fuerza para presionar la aleta del congelador.
- No tire de la pared de separación si hay hielo en el congelador.
- No quite la membrana del panel de control cuando la nevera está en funcionamiento.

8.1 Consejos de ahorro de energía

- Escoja una ubicación bien ventilada protegida de la luz solar directa.
- Deje enfriar la comida caliente antes de ponerla en la nevera.
- No abra la nevera más a menudo de lo necesario. Si la puerta se deja abierta más de cinco minutos, la luz empieza a emitir destellos.
- No deje la puerta abierta más tiempo del necesario.

- Descongele la nevera en cuanto se forme una capa de hielo.
- Evite ajustes de temperatura innecesariamente bajos.
- Limpie el polvo y la suciedad del condensador a intervalos regulares.

8.2 Encendido de la nevera



- Encienda la nevera presionando el pulsador .



NOTA

Después del encendido, la nevera necesita un tiempo antes de que el compresor se ponga en marcha.

8.3 Ajustes de temperatura

- Presione repetidamente el pulsador  hasta alcanzar el nivel de temperatura deseado. El LED inferior/más grande es el ajuste más frío. El LED superior/más pequeño es el ajuste más caliente. Para pasar del nivel más caliente al más caliente presione de nuevo el pulsador .



NOTA

El rendimiento de refrigeración puede verse afectado por:

- La temperatura ambiente
- La cantidad de alimentos que tienen que conservarse
- La frecuencia con la que se abre la puerta.

Si la temperatura ambiente está entre 16 °C (61 °F) y 20 °C (68 °F), ajuste la nevera al nivel 2.




8.4 Ajuste de la función de enfriamiento rápido



¡AVISO! PELIGRO DE SUFRIR DESPERFECTOS

- Use la función de enfriamiento rápido solo cuando **no** se esté utilizando el congelador extraíble. De lo contrario hay riesgo de que el congelador se enfríe demasiado y no se pueda evitar la formación de condensación en el exterior de la nevera. El consumo de energía se incrementará también de forma espectacular.
- Tenga en cuenta que las botellas y otros recipientes pueden estallar cuando se congelan.
- Fíjese en que es difícil abrir la nevera directamente después de cerrarla.

La opción de funcionamiento de la nevera usando la función de enfriamiento rápido permite alcanzar temperaturas adecuadas para congelar alimentos.

- Presione el pulsador  durante más de tres segundos.
- ✓ El LED que está encima del pulsador  se ilumina.
- Presione de nuevo el pulsador  durante más de tres segundos para utilizar la nevera en modo normal.

8.5 Conservación de alimentos



¡AVISO! PELIGRO DE SUFRIR DESPERFECTOS

- No conserve alimentos **calientes** en la nevera.
- No deje recipientes de vidrio que contengan líquidos en el congelador.



NOTA

Los alimentos que pueden absorber fácilmente sabores y olores, así como líquidos y productos con altos contenidos de alcohol, deben conservarse en recipientes herméticos.

Puede conservar alimentos en la nevera. El tiempo que los alimentos pueden conservarse de esta forma se indica normalmente en el envase.

La nevera se divide en diferentes zonas con diferentes temperaturas:

- Las zonas más frías se encuentran inmediatamente encima de los cajones para frutas y verduras, cerca de la pared del fondo.
- Tenga en cuenta la información sobre la temperatura y la fecha de caducidad en el envase del alimento.
- Preste atención a lo siguiente al usar la nevera:
 - No vuelva a congelar nunca los productos que han empezado a descongelarse o que ya se han descongelado; consúmalos lo antes posible.
 - Envuelva los alimentos en papel de aluminio o film transparente e introdúzcalos en una caja adecuada con tapa. Esto garantiza la mejor conservación de los aromas, la forma y la frescura.


8.6 Descongelación del congelador



¡AVISO!

No use nunca herramientas mecánicas para retirar el hielo o para despejar objetos adheridos en el aparato. Las únicas excepciones son los aparatos aprobados para ese fin por el fabricante.

Esta es la manera de descongelar la nevera:

- Vacíela de contenidos.
- Si es necesario, póngalos en otro aparato refrigerador para mantenerlos fríos.
- Presione el pulsador  hasta que la nevera se apague.
- Cierre la puerta de manera apropiada.

8.7 Liberación del cierre



¡AVISO! PELIGRO DE SUFRIR DESPERFECTOS


Ajuste el mecanismo de cierre solo cuando la puerta esté abierta. Si lo usa con la puerta cerrada, causará daños en el aparato.

La nevera tiene un mecanismo de cierre (fig. **12** 1, página 8) que se usa también para protegerla durante el transporte. Es posible realizar los siguientes ajustes:

- **Lock** (gire la rueda a la derecha hasta el tope): la puerta está bloqueada y asegurada.
Para abrir la puerta, levante el asa y ábrala.
- **Vent** (gire la rueda a la izquierda hasta el tope): La puerta se abre ligeramente, pero está fija en su posición.
Use esta posición si no va a utilizar la unidad en mucho tiempo.

8.8 Apagado y almacenamiento de la nevera

Si no va a usar la nevera en mucho tiempo haga lo siguiente:

- Presione el pulsador  hasta que la nevera se apague.
- Desconecte el cable de la batería o desconecte la clavija del enchufe de CA del rectificador.
- Limpie la nevera (ver capítulo “Limpieza y mantenimiento” en la página 65).
- Gire la rueda de cierre (fig. **12** 1, página 8) a la derecha hasta el tope (“Ventilar”).
- Cierre la puerta hasta que enganche.

- ✓ La puerta queda abierta para evitar la aparición de olores.

9 Limpieza y mantenimiento



¡AVISO! PELIGRO DE SUFRIR DESPERFECTOS

- No use agentes de limpieza abrasivos ni objetos duros durante la limpieza ya que pueden causar daños en la nevera.
- No use herramientas duras o puntiagudas para acelerar el proceso de descongelación.

- ▶ Desconecte siempre el aparato de la fuente de alimentación antes de limpiarlo y revisarlo.
- ▶ Limpie la nevera con frecuencia y en cuanto aparezca suciedad con un paño húmedo.
- ▶ Asegúrese de que no gotee agua en los sellos. Esto puede dañar la electrónica.
- ▶ Seque la nevera con un paño después de la limpieza.
- ▶ Limpie el polvo y la suciedad del condensador a intervalos regulares.

10 Garantía Limitada

Consulte las siguientes secciones para obtener información sobre garantía y asistencia para garantía en EE.UU., Canadá y el resto de regiones.

10.1 Estados Unidos y Canadá

GARANTÍA LIMITADA DISPONIBLE EN
DOMETIC.COM/WARRANTY.

SI TIENE PREGUNTAS O DESEA OBTENER UNA COPIA SIN COSTO DE LA GARANTÍA LIMITADA, CONTACTE A:

DOMETIC CORPORATION
CUSTOMER SUPPORT CENTER
1120 NORTH MAIN STREET
ELKHART, INDIANA, USA 46514
+1-800-544-4881 OPCIÓN 1

10.2 Otras regiones

Rige el plazo de garantía legal. Si el producto presenta algún defecto, diríjase a la sucursal del fabricante de su país (dometic.com/dealer) o a su establecimiento especializado.

Para la tramitación de la reparación y de la garantía debe enviar también los siguientes documentos:

- una copia de la factura con fecha de compra
- el motivo de la reclamación o una descripción de la avería

11 Eliminación



¡ADVERTENCIA! CUIDADO CON LOS NIÑOS

Antes de deshacerse de su antigua nevera:

- Quite las puertas.
- Deje las superficies de almacenamiento en el refrigerador para que los niños no puedan entrar.

► Deseche el material de embalaje en el contenedor de reciclaje correspondiente.



Cuando vaya a desechar definitivamente el producto, infórmese en el centro de reciclaje más cercano o en un comercio especializado sobre las normas pertinentes de eliminación de materiales.

12 Solución de averías

El significado del LED rojo (fig. 3 2, página 4)

Se ilumina varias veces para averías de funcionamiento. El número de pulsos depende del tipo de avería.

Cada destello dura un cuarto de segundo. Después de la serie de impulsos se produce una pausa. La secuencia para la avería se repite cada cuatro segundos.

Número de destellos	Avería	Posible causa
1	Tensión baja	La tensión de alimentación está fuera del rango establecido
2	Corriente de ventilador excesiva	La carga del ventilador en la unidad de electrónica es de más de 1 A
	Demasiados intentos de arranque	El compresor o el ventilador se han puesto en marcha con demasiada frecuencia dentro de un corto periodo de tiempo
3	El motor no arranca	El rotor está atascado. La diferencia de presión en el sistema de refrigeración es demasiado alta (> 5 bar)
4	La velocidad es demasiado baja	Si se sobrecarga la refrigeración, no es posible mantener la velocidad mínima del motor de 1850 rpm
5	Sobrecalentamiento de la unidad de electrónica	Si la refrigeración se sobrecarga o se ha fijado una temperatura demasiado alta, el sistema electrónico se puede sobrecalentar
Constantemente	Errores en el sensor de temperatura	El sensor de temperatura está defectuoso

El compresor no funciona (conexión de batería)

Problema	Posible causa	Remedio
$U_{BR} = 0 V$	Hay una interrupción en la conexión entre la batería y la electrónica	Establezca una conexión
	Avería del interruptor principal (si está instalado)	Reemplace el interruptor principal
	El fusible de la línea de alimentación adicional se ha fundido (si está instalado)	Reemplace el fusible de la línea de alimentación
$U_{BR} \leq U_{CON}$	La tensión en la batería es demasiado baja	Cargue la batería

Problema	Posible causa	Remedio
Intento de arranque con $U_{BR} \leq U_{DESC}$	Cables sueltos Mal contacto (corrosión)	Establezca una conexión
	La capacidad de la batería es demasiado baja	Reemplace la batería
	La sección de cable es demasiado pequeña	Reemplace el cable (fig. 10, página 8)
Intento de arranque con $U_{BR} \geq U_{CON}$	La temperatura ambiente es demasiado alta	–
	Ventilación insuficiente	Mueva la nevera a otra ubicación
	El condensador está sucio	Limpie el condensador
El circuito eléctrico entre los pines del compresor está interrumpido	Compresor defectuoso	Contacte con el servicio de atención al cliente
No hay tensión de entrada para el controlador ni para la placa de desconexión de carga	Ensamblaje incorrecto del controlador y la placa de desconexión de carga	Sustituya todo el módulo de control, compuesto por el controlador y la placa de desconexión de carga

U_{BR} Tensión entre los bornes positivo y negativo de la electrónica

U_{CON} Tensión de reconexión de la electrónica

U_{DESC} Tensión de corte de la electrónica

Mala refrigeración, incremento de la temperatura interior



Problema	Posible causa	Remedio
El compresor funciona durante mucho tiempo/de manera continua	La temperatura ambiente es demasiado alta	–
	Ventilación insuficiente	Mueva la nevera a otra ubicación
	El condensador está sucio	Limpie el condensador
	Ventilador defectuoso	Reemplace el ventilador
El compresor a menudo no funciona	Capacidad de la batería agotada	Cargue la batería

Ruidos inusuales

Problema	Posible causa	Remedio
Fuerte zumbido	Un componente del circuito de refrigeración no se puede mover con libertad (en contacto con la pared)	Separe cuidadosamente el componente de la obstrucción
	Hay un objeto extraño encajado entre la unidad refrigeradora y la pared	Retire el objeto extraño
	Ruido en el ventilador	Reemplace el ventilador

13 Datos técnicos

	CRX50	CRX65
Modelo:	CRX0050	CRX0065
Capacidad del compartimento de la nevera:	41.2 l (1.45 cu.ft.)	50 l (1.77 cu.ft.)
Capacidad del congelador:	4.4 l (0.16 cu.ft.)	7.0 l (0.25 cu.ft.)
Capacidad:	45 l (1.59 cu.ft.)	57 l (2.01 cu.ft.)
Tensión:	12 V $\overline{=}$ o 24 V $\overline{=}$	

	CRX50	CRX65
Corriente nominal 12 V ₌₌₌ : 24 V ₌₌₌ :	5.0 A 2.6 A	5.5 A 2.8 A
Rango de temperatura de refrigeración Nevera: Congelador: Enfriamiento rápido (sin pared de separación):	+3 °C (37 °F) a +12 °C (54 °F) -15 °C (5 °F) a -5 °C (23 °F) máximo -6 °C (21 °F) ± 2 °C (36 °F)	
Clase climática:	T	
Humedad relativa:	máximo 90 %	
Inclinación a corto plazo:	máximo 30°	
Presión máx:	LP 11 bar/HP 25 bar	
Propelente:	C ₅ H ₁₀	
Refrigerante:	R134a	
Cantidad de refrigerante:	44 g (1.55 oz.)	45 g (1.58 oz.)
Equivalente de CO ₂ :	0.063 t (138.8 lbs)	0.064 t (141.1 lbs)
Potencial de calentamiento global (PCG):	1430	1430
Dimensiones:	fig. 13 , página 9	fig. 14 , página 9
Peso:	17 kg (37.48 lbs)	19 kg (41.89 lbs)
Inspección/certificación:	 	

Contiene gases de efecto invernadero fluorados

Aparato sellado herméticamente

Mobile living made easy.



dometic.com

**YOUR LOCAL
DEALER**

dometic.com/dealer

**YOUR LOCAL
SUPPORT**

dometic.com/contact

**YOUR LOCAL
SALES OFFICE**

dometic.com/sales-offices

A complete list of Dometic companies, which comprise the Dometic Group, can be found in the public filings of:
DOMETIC GROUP AB Hemvärnsgatan 15 SE-17154 Solna Sweden